

# HONDA

## INSTALLATION INSTRUCTIONS

Accessory

FRONT SIDE PIPE  
P/N 08P72-MKP-J80

Application

CB500XA

Publication No.

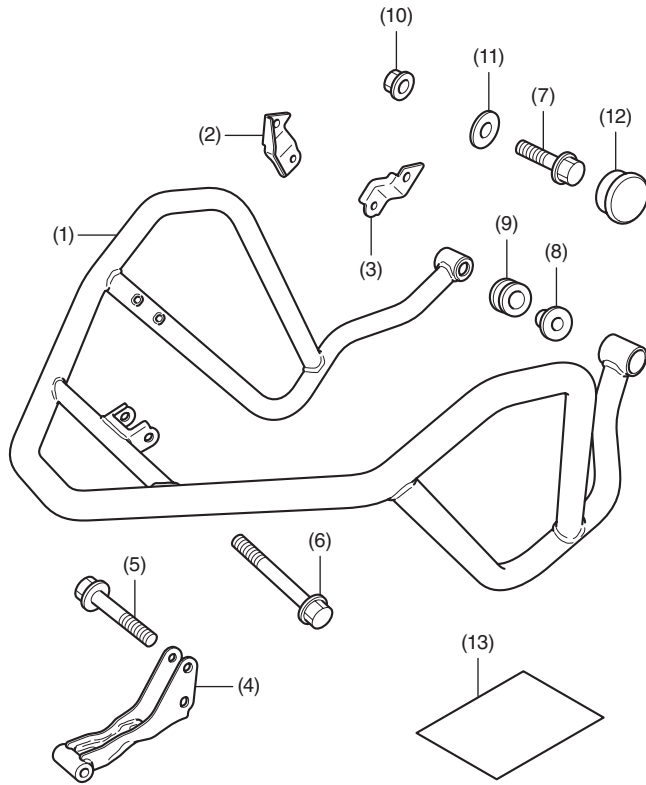
MII

Issue Date

October 2018

**Honda Dealer: Please give a copy of these instructions to your customer.**

### PARTS LIST



No.	Description	Qty
(1)	Front side pipe	1
(2)	Right front side pipe plate	1
(3)	Left front side pipe plate	1
(4)	Front side pipe bracket	1
(5)	8 mm flange bolt (middle)	2
(6)	8 mm flange bolt (long)	1
(7)	8 mm flange bolt (short)	2
(8)	Flange collar	2
(9)	Rubber	2
(10)	8 mm flange nut	3
(11)	Washer	2
(12)	Cap	2
(13)	URL paper	1

### TOOLS REQUIRED

Socket (12 and 14 mm)  
Ratchet  
Box-end wrench (12 mm)  
Torque wrench

### TORQUE CHART

Tighten all screws, bolts, and nuts to their specified torque values. Refer to the Service Manual for the torque values of the removed parts.

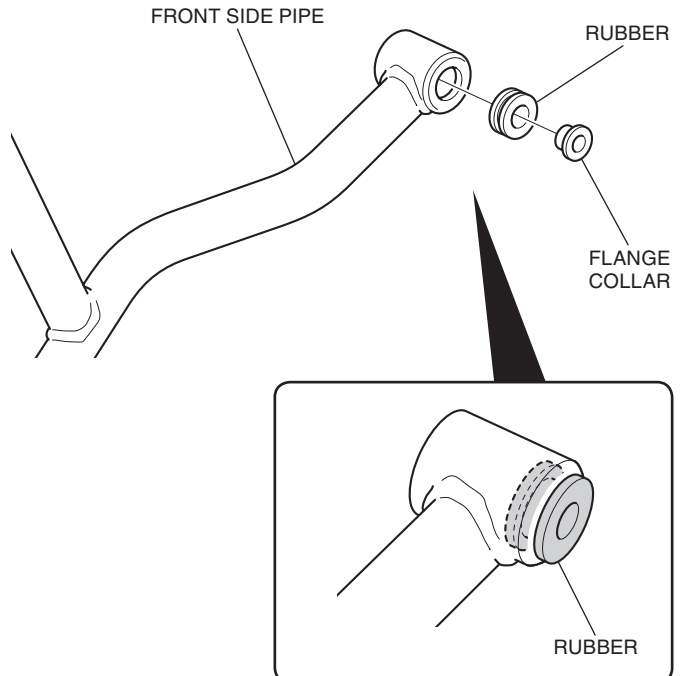
Item	N-m	kgf-m	lbf-ft
8 mm flange bolt and nut	27	2.8	20

### INSTALLATION

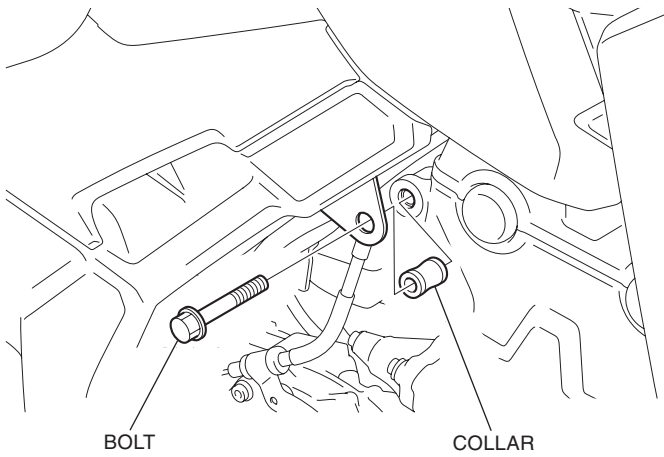
#### ▲ CAUTION

- To prevent burns, allow the engine, exhaust system, radiator, etc., to cool before installing the accessory.

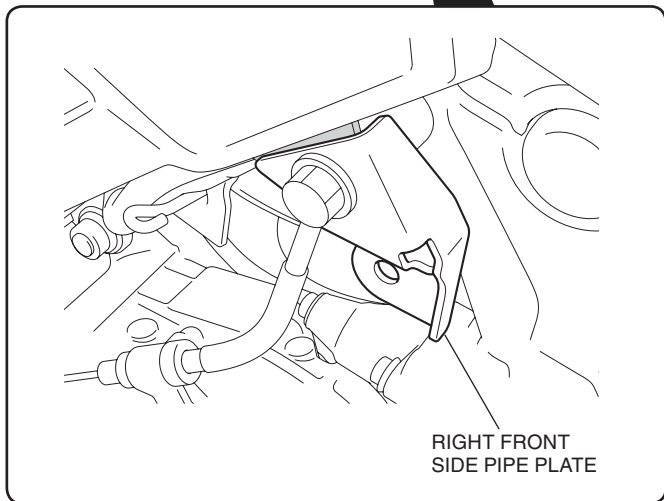
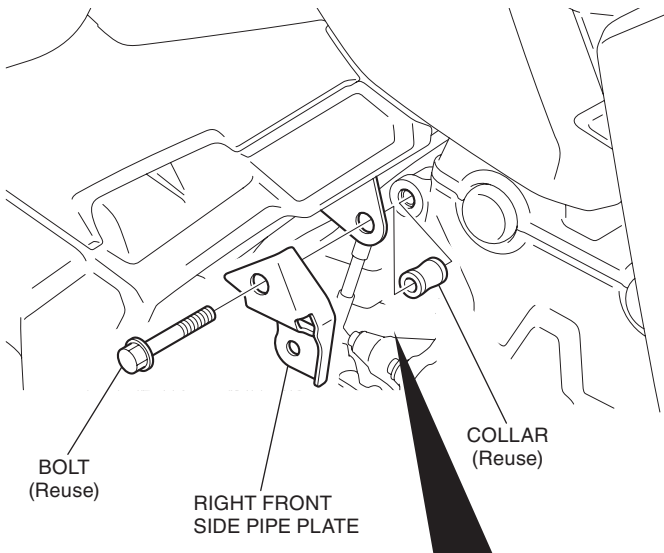
- Install the rubber and flange collar as shown.
  - Repeat on the left side.



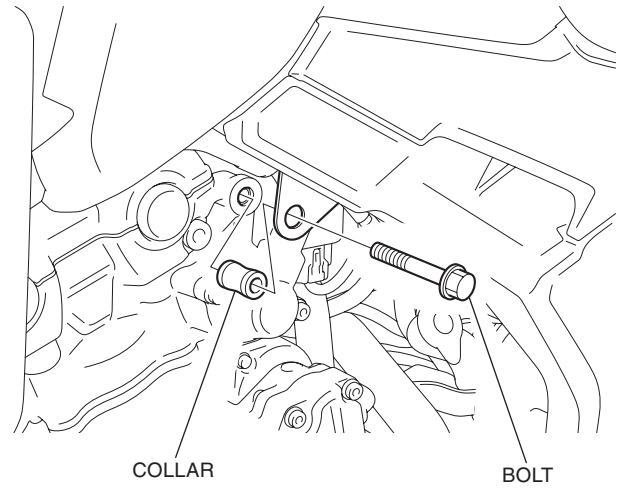
2. Remove the parts as shown.  
<Right side>



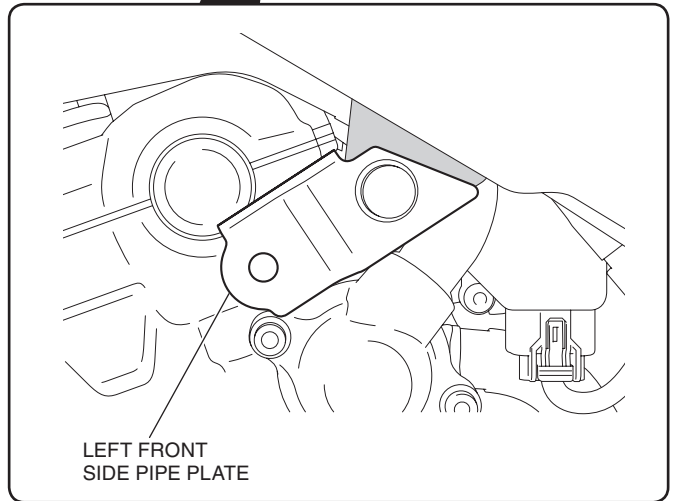
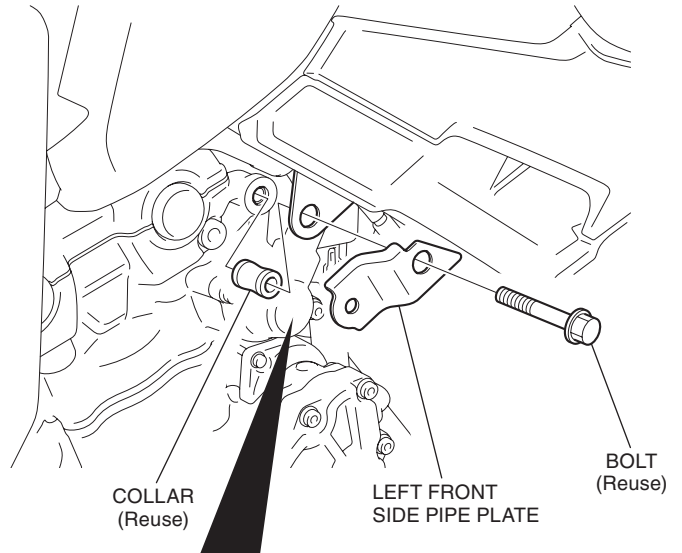
3. Loosely install the right front side pipe plate as shown.



4. Remove the parts as shown.  
<Left side>

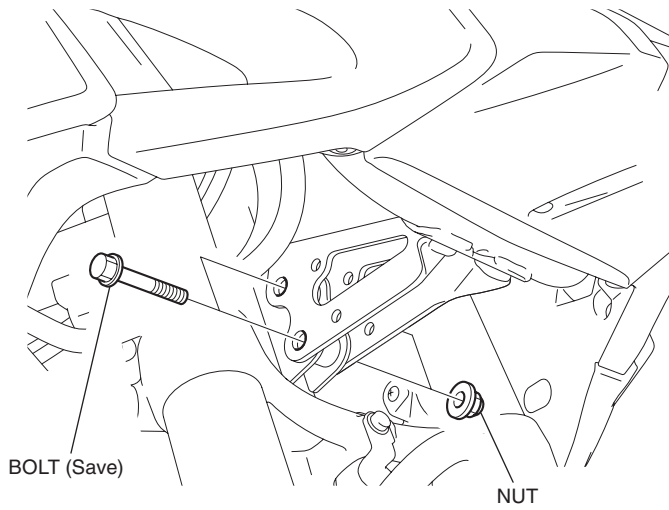


5. Loosely install the left front side pipe plate as shown.

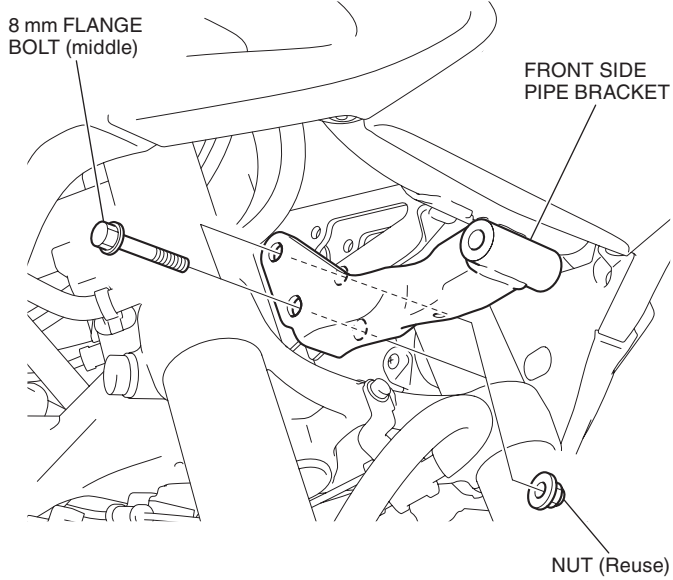


6. Remove the parts as shown.

<Front side>

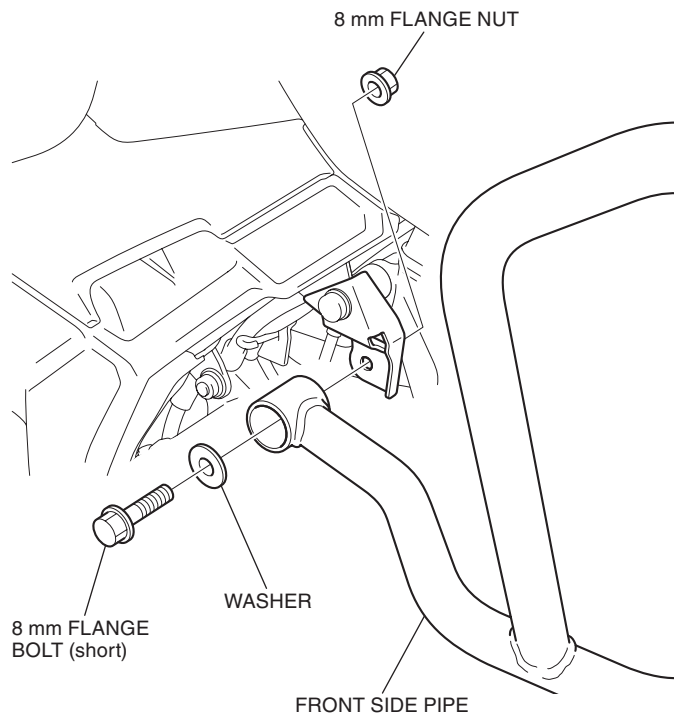


7. Loosely install the front side pipe bracket as shown.



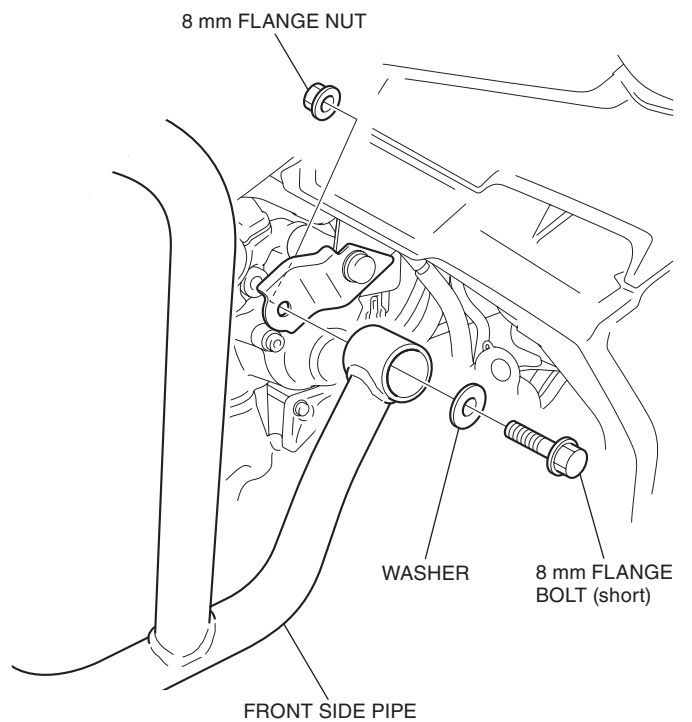
8. Loosely install the front side pipe as shown.

<Right side>

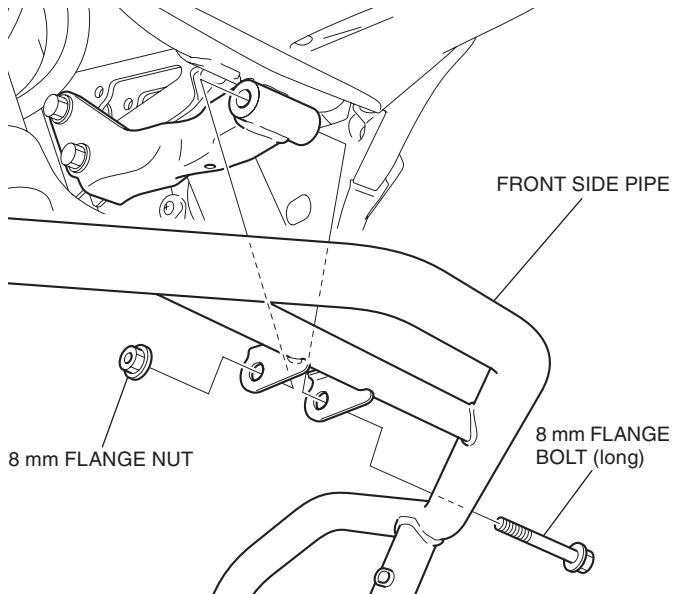


9. Loosely install the front side pipe as shown.

<Left side>



10. Loosely install the front side pipe as shown.



11. Tighten all loosely installed hardware to the specifications in the torque chart.

12. Install the cap as shown.

- Repeat on the right side.

